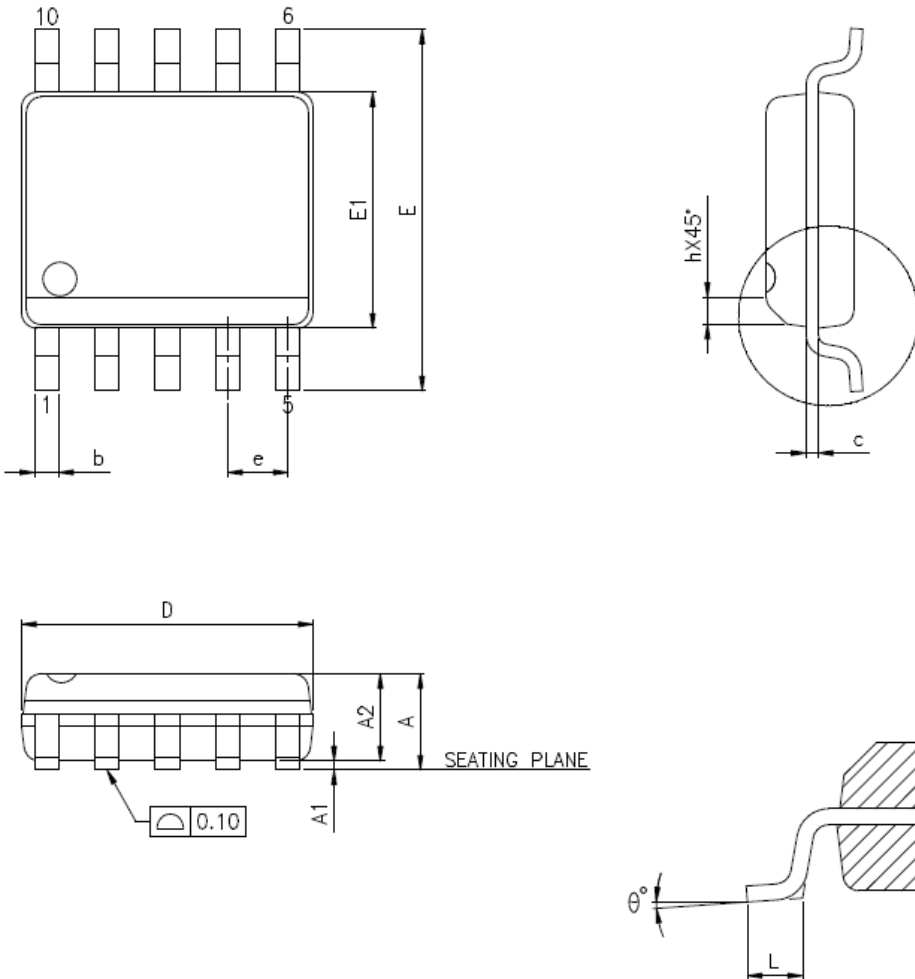




10L SSOP (150mil)Package Outline :



Symbol	Dimension in mm			Dimension in inch		
	Min	Nom	Max	Min	Nom	Max
A	—	—	1.75	—	—	0.069
A1	0.10	—	0.25	0.004	—	0.010
A2	1.25	—	1.65	0.049	—	0.065
b	0.30	—	0.50	0.012	—	0.020
c	0.10	—	0.25	0.004	—	0.010
D	4.80	4.90	5.00	0.189	0.193	0.197
E	5.80	6.00	6.20	0.228	0.236	0.244
E1	3.80	3.90	4.00	0.150	0.154	0.158
e	—	1.00	—	—	0.039	—
L	0.40	—	1.27	0.016	—	0.050
θ	0°	—	8°	0°	—	8°

Note :

1. Dimension D & E1 do not include mold protrusion.
2. Dimension b does not include dambar protrusion.